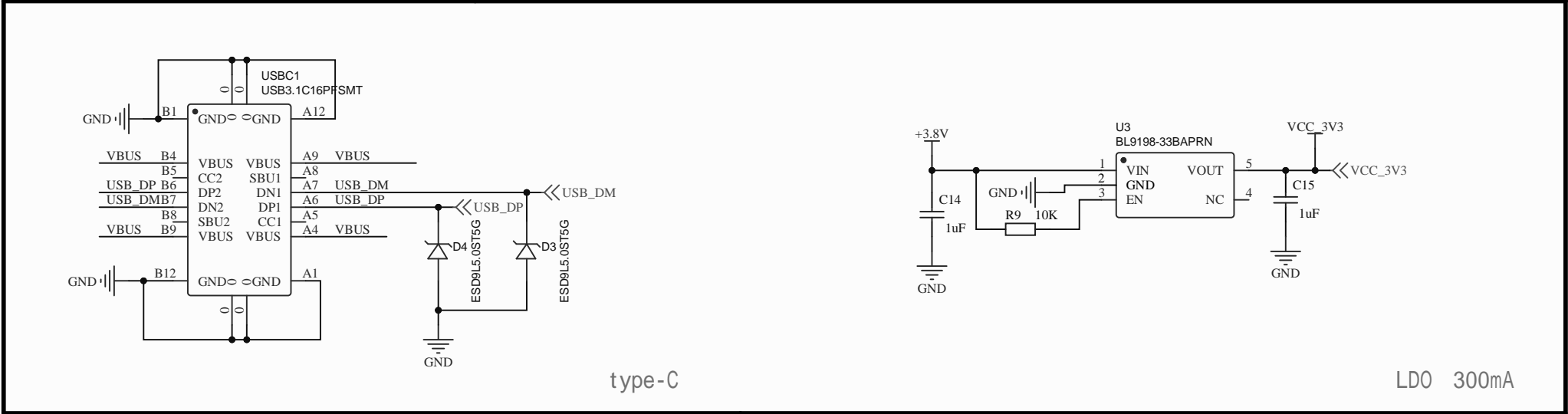
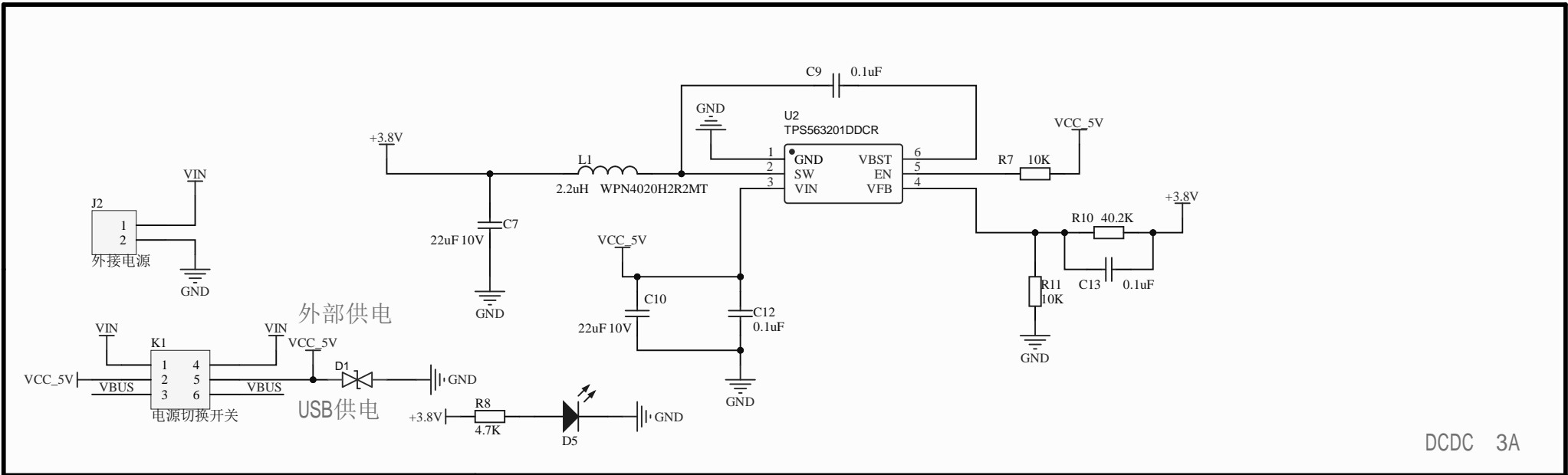
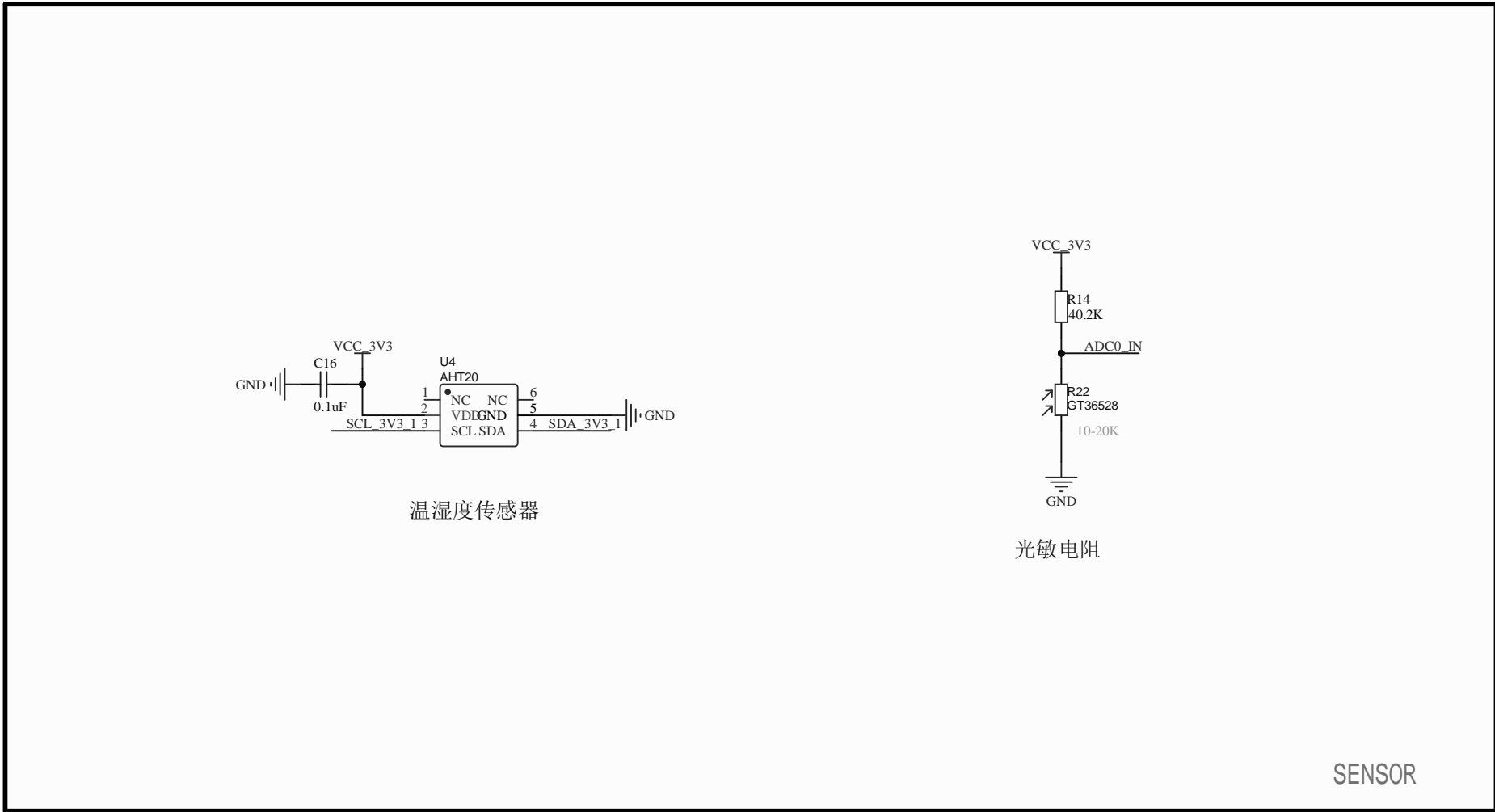


B 0 0 3.776 0 290.9998 41936@91 34.76823.577176 -3.5776 0 290.9998 41936@91 aTB813.57776 -3.5776 0 290.9998 41936@91 a093.577W6
G W 0 0 3.776 0 290.9998 41936@91 34.76823.577176 -3.5776 0 290.9998 41936@91 aTB813.57776 -3.5776 0 290.9998 41936@91 a093.577W6
26 -3.5776 0 290.9998 423.773P87040531.12



Title		
Size A4	Number	Revision
Date: 3-31-2023	Sheet of	
File: G:\项目\...\2.POWER.SchDoc	Drawn By:	

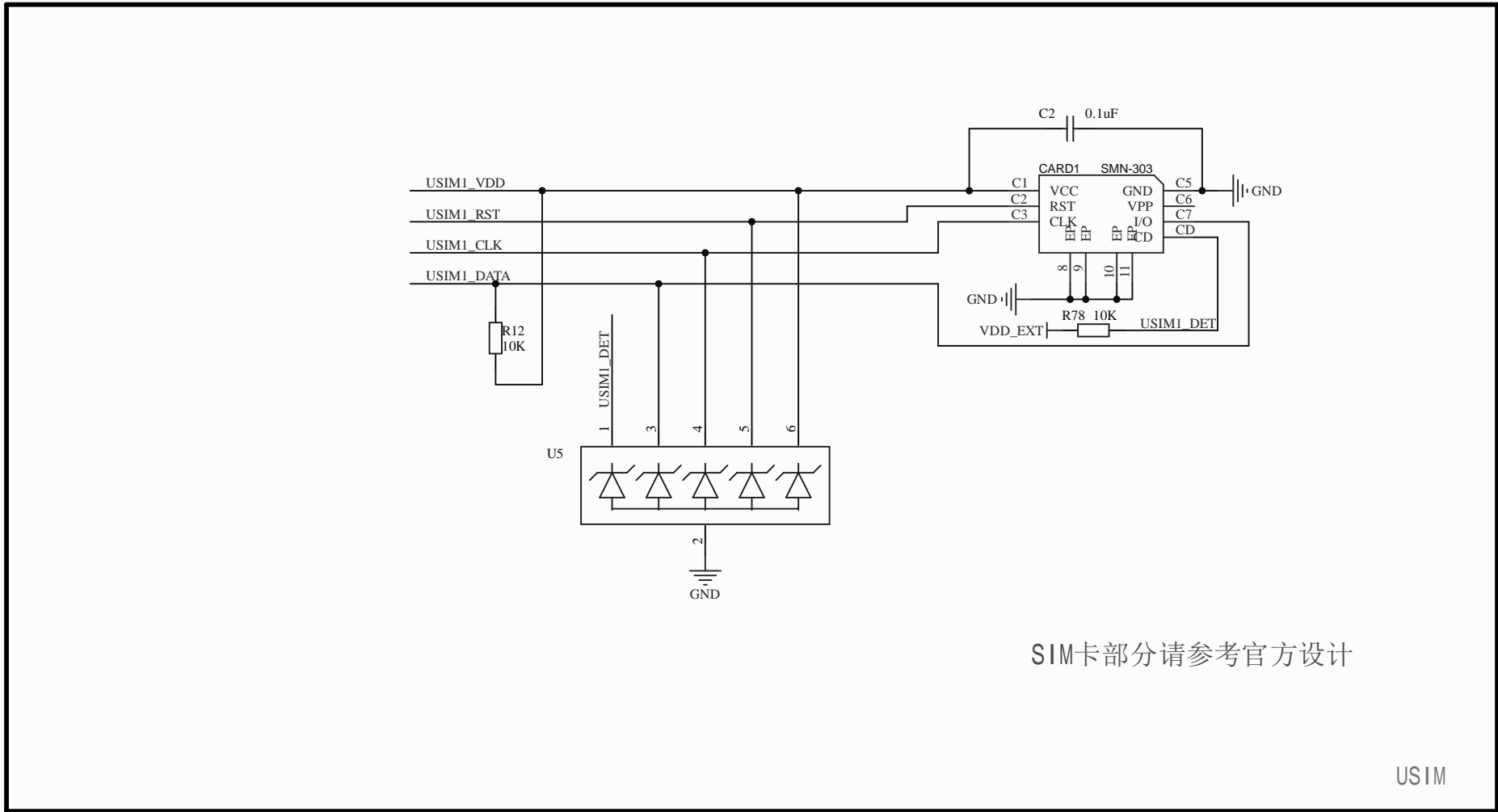


温湿度传感器

光敏电阻

SENSOR

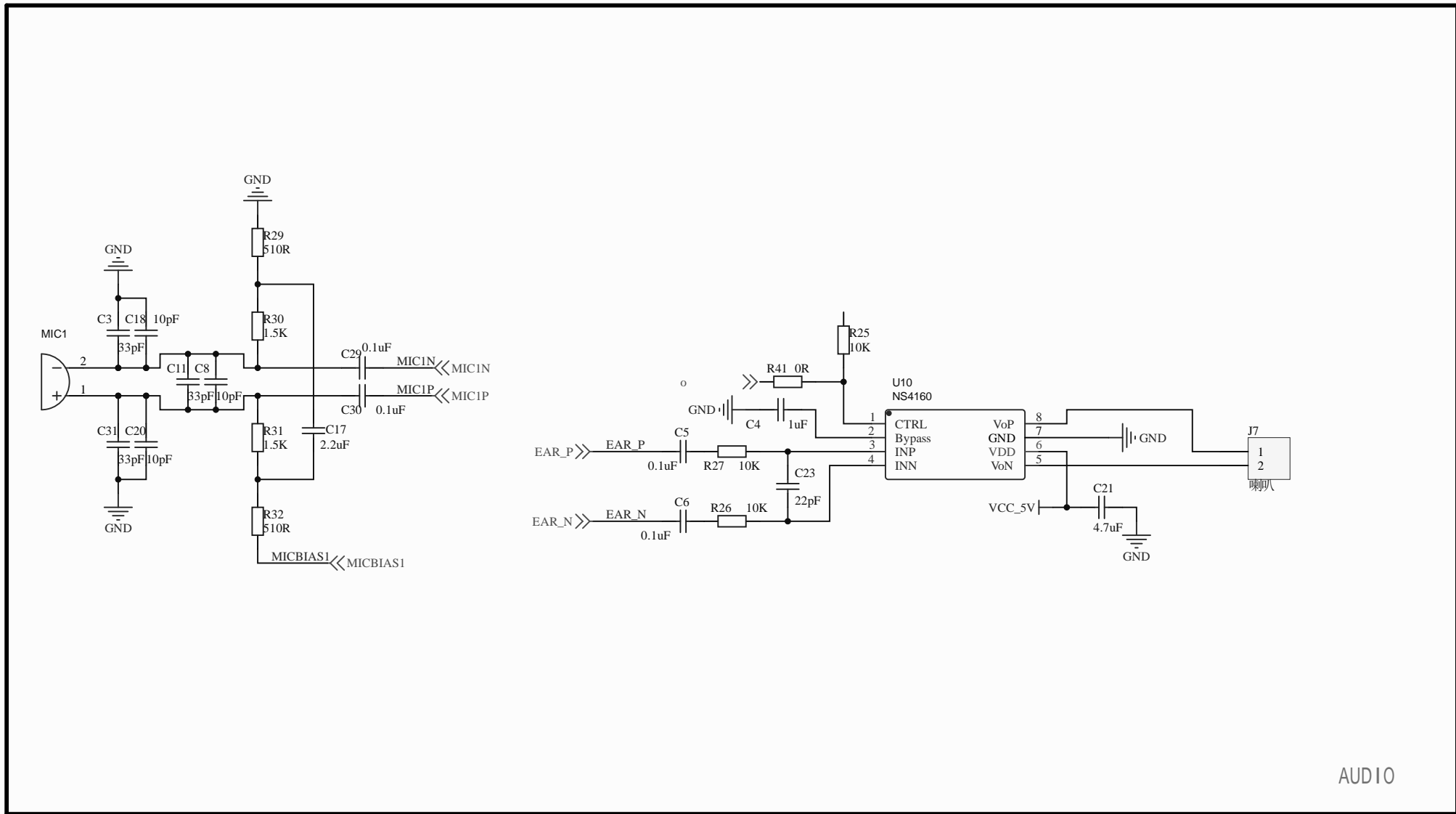
Title		
Size A4	Number	Revision
Date: 3-31-2023	Sheet of	
File: G:\项目 \..\3.SENSOR+EEPROM.SchDoc Drawn By:		



SIM卡部分请参考官方设计

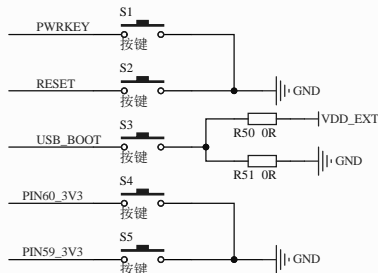
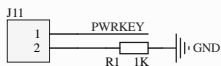
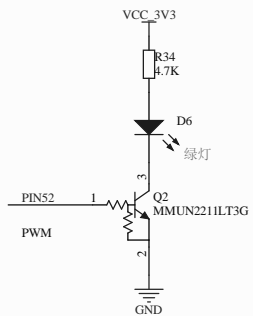
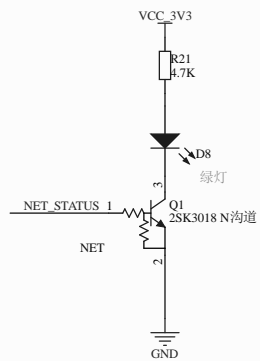
USIM

Title		
Size	Number	Revision
A4		
Date:	3-31-2023	Sheet of
File:	G:\项目\...\4.SIM-CARD.SchDoc	Drawn By:

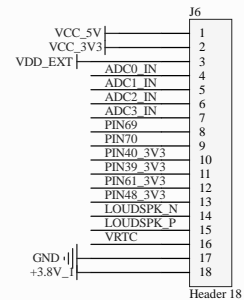
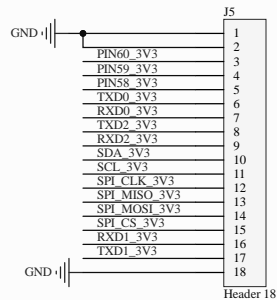
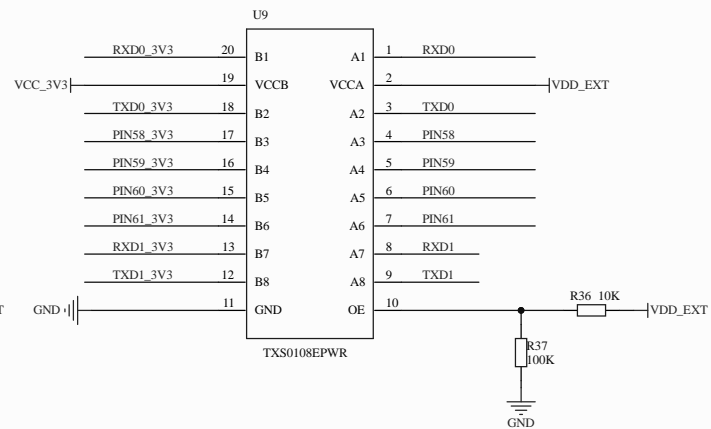
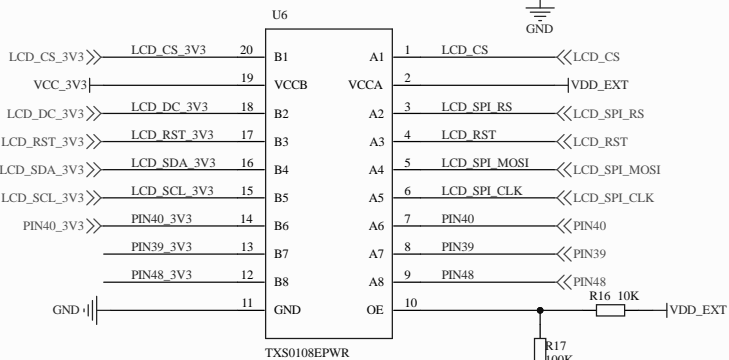
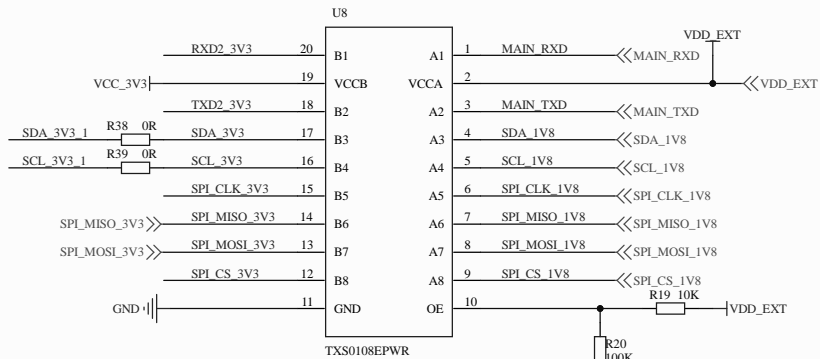


AUDIO

Title		
Size	Number	Revision
A4		
Date:	3-31-2023	Sheet of
File:	G:\项目\...\5.AUDIO.SchDoc	Drawn By:

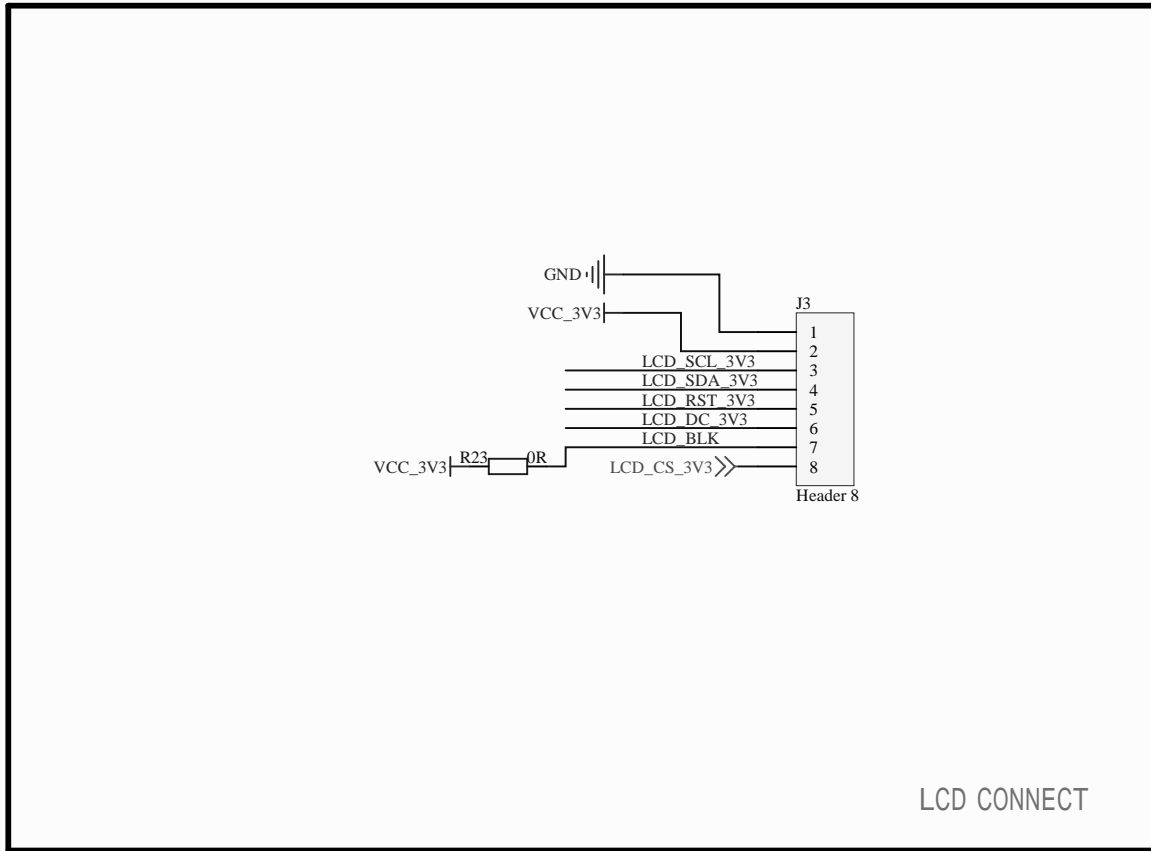


EC600U/G贴片R50
EC600N/M贴片R51



GPIO

Title		
Size	Number	Revision
A3		
Date:	3-31-2023	Sheet of
File:	G:\项目\6.GPIO+UART.SchDoc	Drawn By:



LCD CONNECT

Title		
Size A4	Number	Revision
Date:	3-31-2023	Sheet of
File:	G:\项目\...\7.LCM.SchDoc	Drawn By: